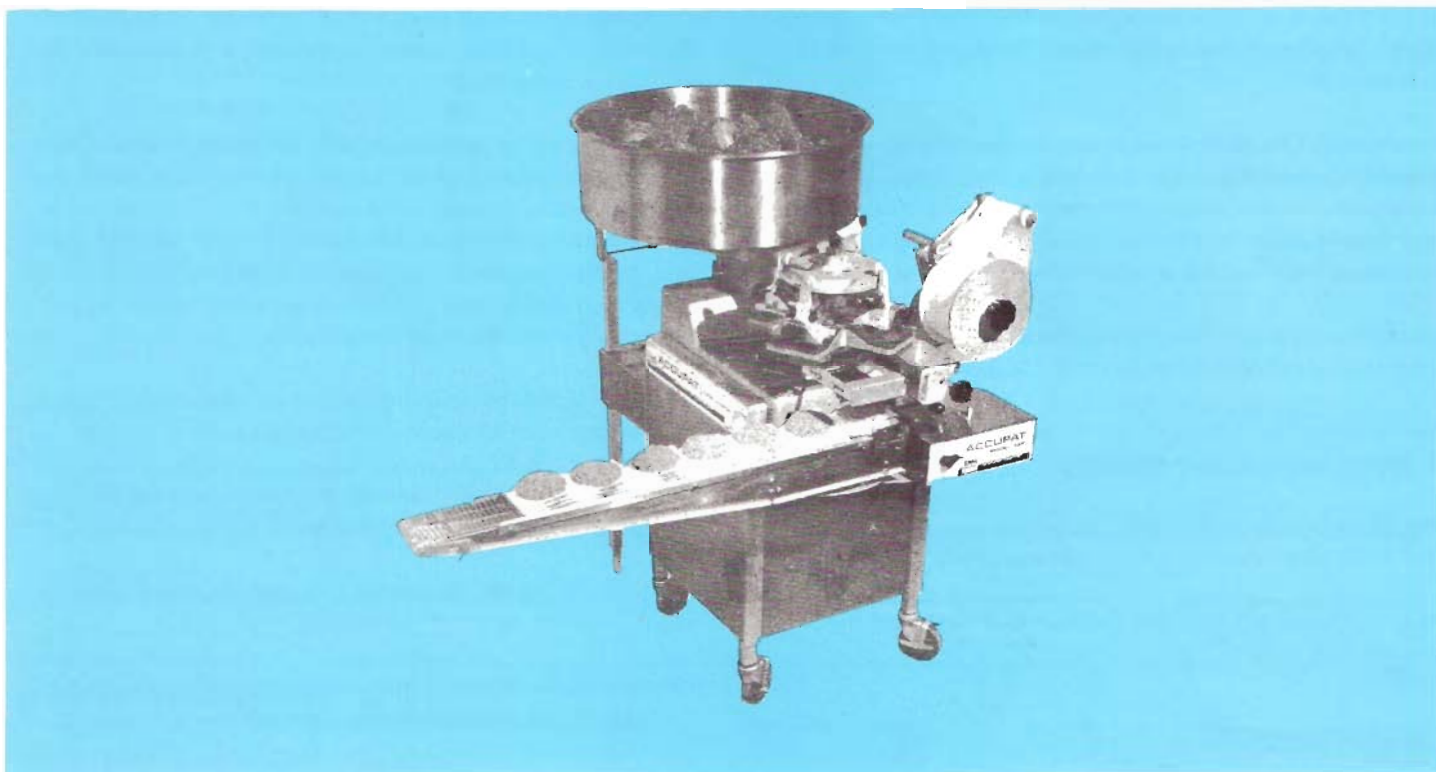


# Food Shaper



**BRIDGE 3AP FOOD SHAPER**

## PURPOSE

The BRIDGE 3AP Series Food Shapers are designed in two models to fit most high speed hamburger patty lines. Patties can be discharged in a single row or paper interleaved and stacked up to 4" high.

## PRODUCT/USES APPLICATION

Both models will automatically shape a patty or steakette portion controlled to your weight and size, then tenderize or score the product. The Model 3AP will also paper interleave, count, stack and convey the patties for packaging. The Model 3APC simply discharges the portion controlled, scored patties without paper, one at a time onto the customer's receiving conveyor.

## BENEFITS/FEATURES

Fluffy "Home Style" Patties—with a continuous rotary motion, propellers turn slowly within the hopper to gently meter ground meat into shape. This minimized pressure retains more of the original meat juices in the patties. This is a feature of both 3AP models.

Precise Portion Control—obtain precise portion control by dialing desired thickness of patty. Thickness of any patty produced on the 3AP Series is infinitely adjustable between 3/16" and 3/4" and as thickness increases so does diameter - a result of the pick or scoring action. Each turntable provides a variety of sizes and weights without changing parts. This is a feature of both models.

Automatically Scores and Tenderizes—tiny picks gently pierce each patty. This scoring benefits the patty with a faster cook time at lower temperatures. Heat penetrates the scoring for a juicy, evenly cooked patty, reducing the possibility of burnt edges caused by cupping of patty on grill. This is a feature of both 3AP models.

## CONSTRUCTION OPERATION

Automatically Interleaves—the 3AP Model interleaves single or double sheets of wax paper, silicone parchment or Cellophane rolls. The length of the paper cut is adjustable and automatically cuts to desired length. Only the amount of paper needed is used. This feature is not part of the 3APC.

Automatically Counts, Stacks and Conveys—the 3AP Model counts and stacks patties from one to 20 or up to 4" high. The count is adjusted by a simple control knob. A 36" indexing conveyor moves the patties forward only after the proper number of patties have been counted and stacked. This is not a feature of the 3APC.

Single Row Application - the 3APC Model forms the patty and drops it onto existing conveyor for single row applications.

For Multi-Row Application—we offer a separate Spreading Conveyor to distribute patties across a wider belt. Maximum discharge width—48".

High Speed—the 3AP Model will produce up to 4200 patties per hour. The 3APC will produce up to 6000 patties per hour.

Easy to Clean—no tools are required to disassemble the food contact parts

The 3AP Series Food Shapers are self-contained portable units that can be wheeled into location. The drive parts are accessible through lift out panels in the machine base. Food contact parts are quickly disassembled without tools. All food contact parts constructed of stainless steel or "nickel silver".

Both models form the patties in the same gentle way. Propellers turn slowly and continuously within the hopper to flow the meat into the shaping and sizing pockets of the turntable. The turntables can be furnished in a variety of sizes (refer to "Food Shaper Weight Adjustment Chart"). When the sizing pockets are filled, the pistons gently elevate each shaped patty for final removal. A pick head gently pierces each patty and lifts it from the turntable.

On the 3AP Model, the picks drop the patty onto a pre-cut paper. The machine continues to drop the interleaved patties to any desired stack height up to 4".

When the stack of patties is complete, the conveyor indexes the stack forward to be removed from the conveyor.

On the 3APC Model, the formed patty without paper is simply dropped onto the customer's conveyor.

Both models are offered with one standard round turntable, 4", 4-1/2" or 4-15/16". Other shapes and sizes are available.

**FOOD SHAPER WEIGHT ADJUSTMENT CHART**  
(Based on Meat Density of 1.57 cubic inches per ounce)

Patties Per Lb.	Wt. Per Patty (oz.)	ROUND MOLDS					OVAL MOLDS			SQUARE	
		Patty Thickness Adjustment (Piston Depth in Inches)									
		4"	4 1/4"	4 1/2"	4 3/4"	4 15/16"	3 x 4-5/8"	3 1/4 x 5 1/8"	3 7/8 x 5 1/2"	4"	
11	1.45	3/16	—	—	—	—	13/64	—	—	—	
10	1.6	13/64	—	—	—	—	7/32	3/16	—	—	
9	1.78	7/32	13/64	—	—	—	1/4	13/64	—	—	
8	2	1/4	7/32	13/64	—	—	9/32	15/64	3/16	3/16	
7	2.29	9/32	1/4	15/64	13/64	3/16	5/16	17/64	13/64	7/32	
6	2.67	21/64	19/64	17/64	15/64	7/32	3/8	5/16	1/4	17/64	
	3	3/8	21/64	19/64	17/64	1/4	27/64	11/32	9/32	19/64	
5	3.2	13/32	23/64	5/16	9/32	17/64	29/64	3/8	19/64	5/16	
4	4	1/2	7/16	25/64	23/64	21/64	9/16	15/32	3/8	25/64	
	5	5/8	35/64	1/2	7/16	13/32	45/64	37/64	29/64	31/64	
3	5.33	43/64	19/32	17/32	15/32	7/16	3/4	5/8	31/64	33/64	
	6	3/4	43/64	19/32	17/32	1/2	—	45/64	35/64	37/64	
	7	—	—	11/16	5/8	37/64	—	—	41/64	11/16	
2	8	—	—	—	45/64	21/32	—	—	3/4	—	
	9	—	—	—	—	47/64	—	—	—	—	

## OPTIONAL EXTRA COST FEATURES

For Model 3AP:

1. Special round, oval or square turntables. Refer to Weight Adjustment Chart.
2. 1 HP, 230/460 volt, 3 phase, single speed motor.  
1 HP, 280 volt, 3 phase, single speed motor.  
2 HP, variable speed 230/460 volt, 3 phase motor.

3. 4 ft. Takeaway Conveyor.

4. Left hand or straight away conveyor.

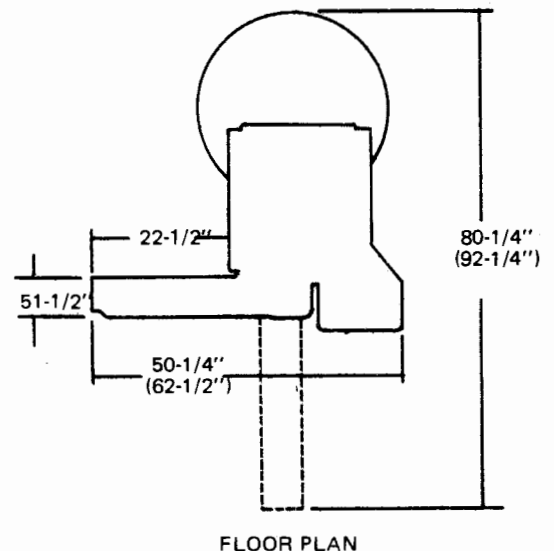
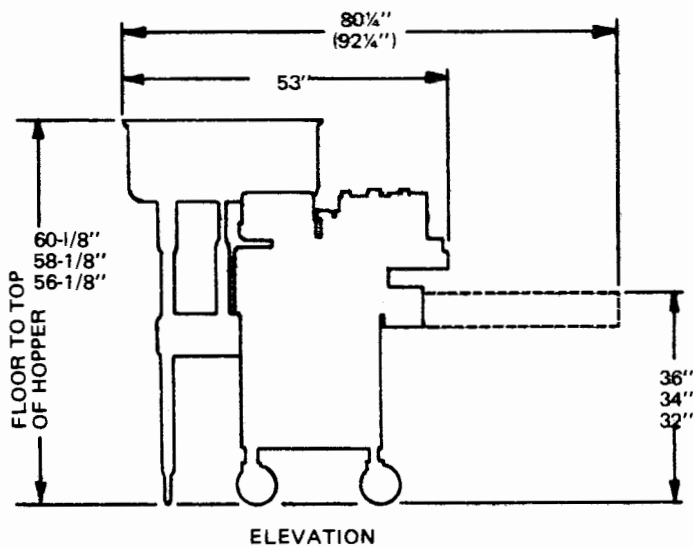
For Model 3APC:

1. Special round, oval or square turntables. Refer to Weight Adjustment Chart.
2. 2 HP, 208 volt, 3 phase motor, with variable speed.

## SPECIFICATIONS (Approximate)

Standard 3AP Model

Motor	1 HP, 115/230 volt, 1 phase, 60 cycle, single speed
Capacity	Up to 4200 patties per hour
Hopper Capacity	200 lbs.
Overall Height (Adjustable)	56-1/8", 58-1/8", 60-1/8"
Overall Width (with Standard Conveyor)	50-1/4"
Overall Width (with special 4' conveyor)	62-1/4"
Overall Length	53"
Weight	515 lbs.
Shipping Weight	790 lbs.



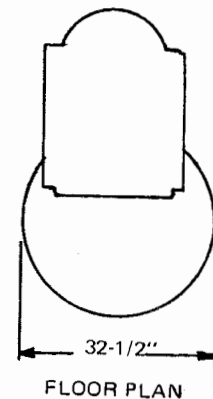
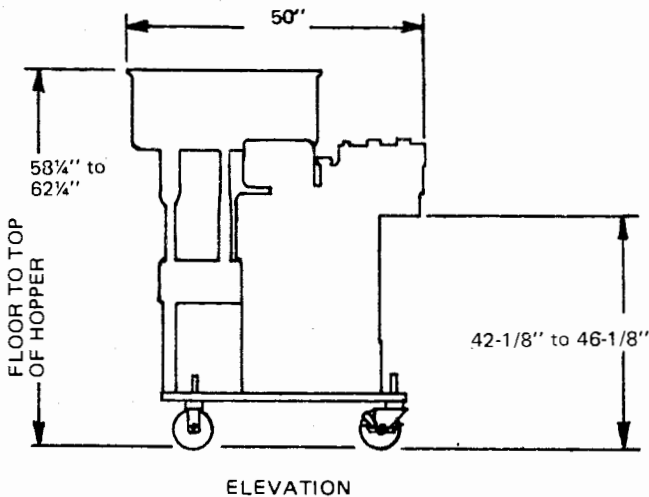
NOTE: Dotted lines show optional conveyor.  
Mounting 92 1/4 and 62 1/4 for optional 4 ft. conveyor.



# SPECIFICATIONS (Approximate)

Standard 3APC Model

Motor (Main Drive)	1-1/2 HP, 230/460 volts, 60 cycle, 3 phase
Capacity	Up to 6000 patties per hour
Hopper Capacity	200 lbs.
Overall Height (adjustable)	56-1/8", 58-1/8", 60-1/8"
Overall Width	27-3/4"
Overall Length	50"
Weight	485 lbs.
Shipping Weight	760 lbs.



Bridge Machine Company, whose policy it is to continuously improve its products, reserves the right to discontinue or change specifications, models or design without notice and without incurring obligation.

