

BRIDGE

Titan BT008

Introducing the new and improved Bridge Meatball Former, Model BT008. The BT008 is designed to increase production while reducing maintenance and labor costs.

The BT008 features a self-contained hydraulic drive system which offers consistency and versatility. The drives to the main auger and auxiliary augers are now separated. The auxiliary augers are independently operated with a variable speed drive creating our most versatile Titan ever.

Production rates up to 160,000 pieces per hour are obtainable with the Bridge multihead attachment giving the BT008 the highest production rates of any single machine on the market. The BT008 is designed to form "traditional-home made" style meatballs and croquettes without costly dies or forming plates.

Reduce your Maintenance costs and increase your production today with the BT008.

Contact Bridge Machine Company today to schedule a demonstration!



BRIDGE

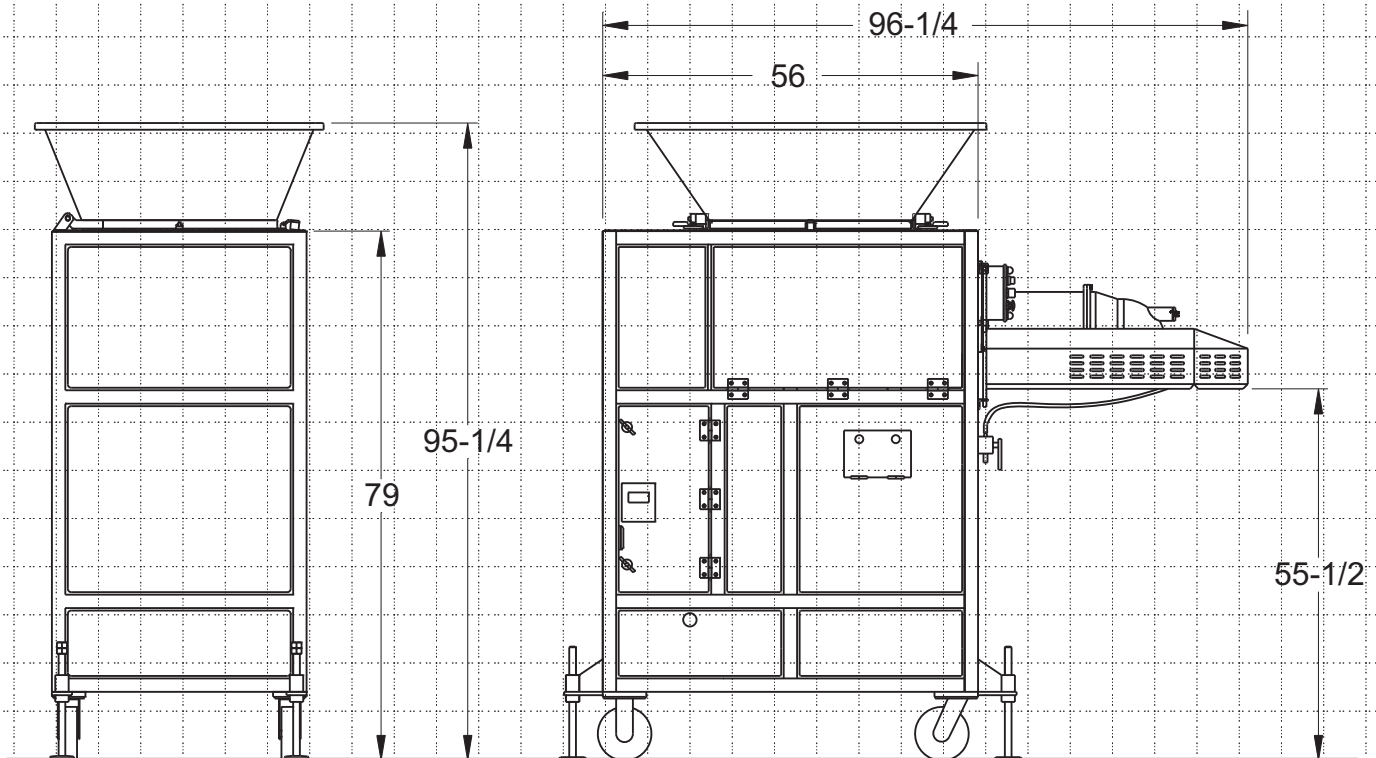
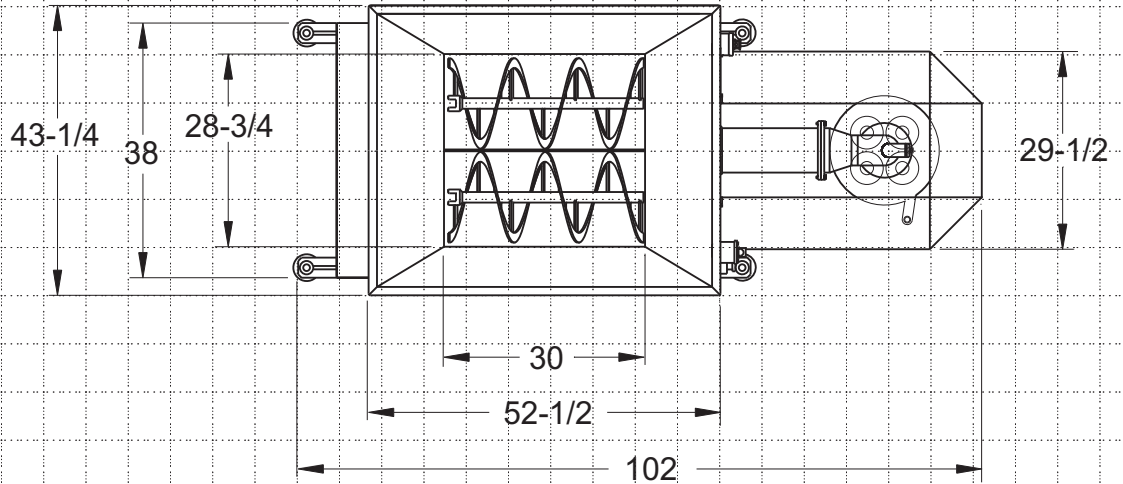
MACHINE COMPANY, LLC

Write Us For Information:
PO Box 45
Palmyra, New Jersey 08065
856.829.1800 Fax 856.786.8147
www.bridgeonline.com

BT008-0001

BRIDGE

Titan BT008



BRIDGE

MACHINE COMPANY, LLC

Write Us For Information:

PO Box 45

Palmyra, New Jersey 08065

856.829.1800 Fax 856.786.8147

www.bridgeonline.com