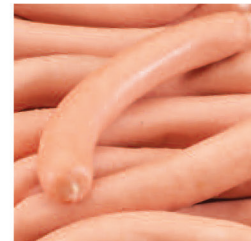


# LUCKY-LINKER by Vemag

Power, setup and go!



LUCKY-LINKER by Vemag includes everything required for sausage production: a vacuum filler with double screw technology, built-in linker, casing holder, one linker horn set, and one straight filling horn.



The one piece hopper has a 45 liter (100 lb.) capacity. With its see-through cover, you can always determine how much product is left in the hopper.

The LUCKY-LINKER by Vemag is equipped with everything you need to make sausage. Whether straight-filling, clipping, or linking collagen, cellulose, or natural casings, this machine meets all of your needs.

Cleaning is quick and easy with commercially available cleaning materials.

Vemag double screws are the heart of the filler. They can handle large particulates without damage, thus producing the best possible end product without smear. The whole pumping system is made of corrosion-free materials. Most importantly, the double screws are made from stainless steel, ensuring long life and exact portioning.



## Benefits:

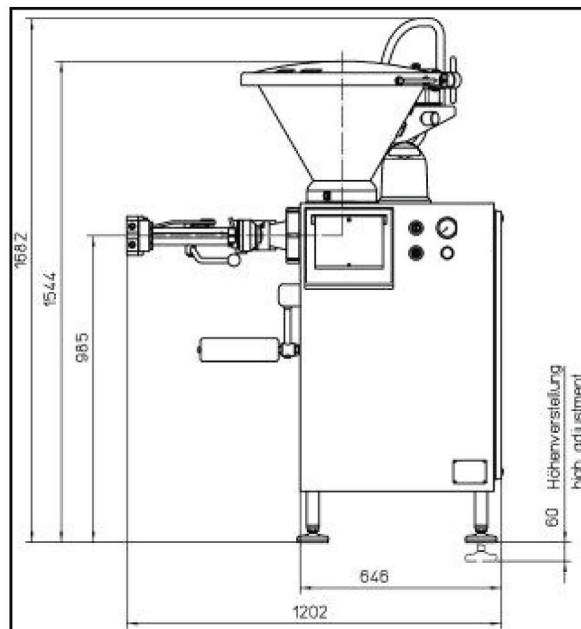
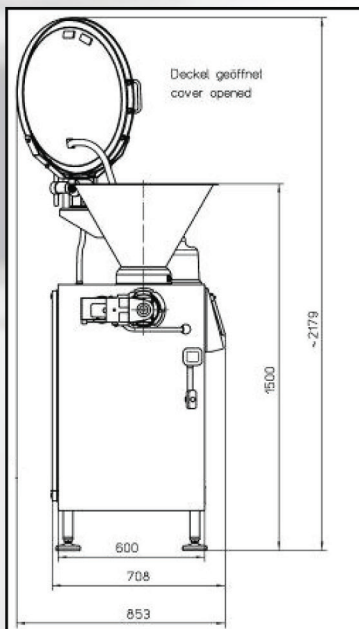
- Ideal for transition from piston filler to modern vacuum fillers
- Good value
- Corrosion-free pumping system
- Flexible
- Gentle on products
- Designed for easy cleaning
- Optimal hygiene features
- Simple, intuitive touchscreen controls
- Built-in linker
- Casing holder
- A machine for all products!

## Technical Data

Filling rate: up to 2.000 kg/h  
Portion weight: 0 – 100.000 g in increments of 0,1 g to 1.000 g  
1 g over 1.000 g

Portioning speed:	Weight	Portions/min.
	25 g	320
	50 g	250
	100 g	180
	200 g	110

Vacuum system: 16 m<sup>3</sup>/h  
Weight: 290 kg  
Hopper content: 45 L (100lbs.) with cover  
Total nominal output: 4,0 kW



**Reiser**  
725 Dedham Street, Canton, MA 02021  
Telephone (781) 821-1290, Fax (781) 821-1316

**Reiser Canada**  
1549 Yorkton Court, Unit #4, Burlington, ON L7P 5B7  
Telephone (905) 631-6611, Fax (905) 631-6607

**Reiser UK**  
Maidstone Road, Kingston, Milton Keynes MK10 0BD  
Telephone (01908) 585300, Fax (01908) 585400

Visit us at [www.reiser.com](http://www.reiser.com)



# REISER



Leading the food industry in processing and packaging solutions.